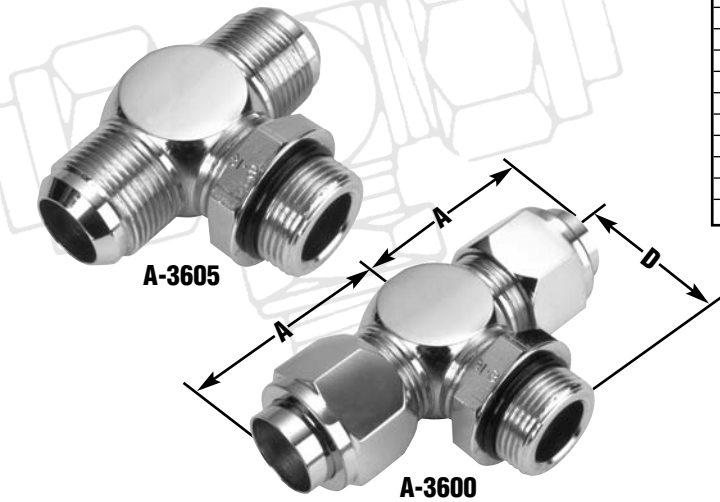


37° FLARE TUBE FITTINGS

S . A . E . S T R A I G H T T H R E A D

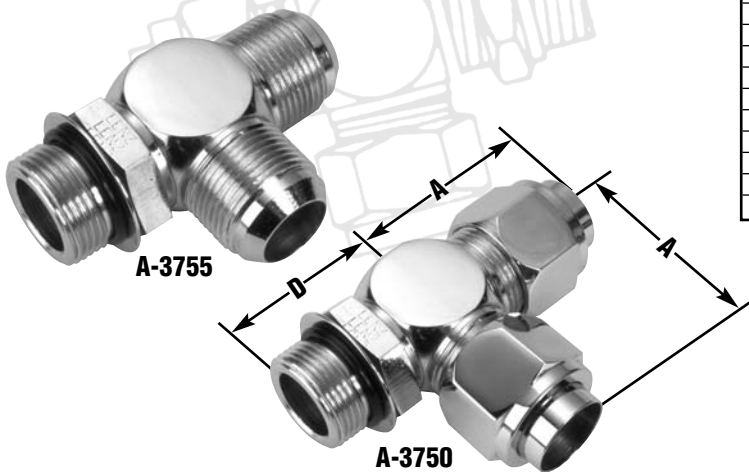
A-3605 / A-3600 • MALE BRANCH TEE FLARE TUBE ENDS- S.A.E. STRAIGHT THREAD SIDE OUTLET



A-3605 / A-3600 • Male Branch Tee

Body Only Part No.	Complete Assem. Part No.	Tube O.D.	Straight Thread	"A" (Tube Leg)	"D" Straight Thread Leg
A3605-4	A3600-4	1/4"	7/16"-20	19/32"	11/64"
A3605-5	A3600-5	5/16"	1/2"-20	13/8"	15/64"
A3605-6	A3600-6	3/8"	9/16"-18	117/32"	115/64"
A3605-8	A3600-8	1/2"	3/4"-16	125/32"	17/16"
A3605-10	A3600-10	5/8"	7/8"-14	23/32"	111/16"
A3605-12	A3600-12	3/4"	11/16"-12	21/4"	115/16"
A3605-14	A3600-14	7/8"	13/16"-12	27/16"	2"
A3605-16	A3600-16	1"	15/16"-12	219/32"	21/32"
A3605-20	A3600-20	1 1/4"	15/8"-12	229/32"	21/4"
A3605-24	A3600-24	1 1/2"	17/8"-12	37/16"	23/8"
A3605-32	A3600-32	2"	2 1/2"-12	43/16"	27/8"

A-3755 / A-3750 • MALE RUN TEE FLARE TUBE END-S.A.E. STRAIGHT THREAD END-FLARE TUBE SIDE OUTLET



A3755 / A3750 • Male Run Tee

Body Only Part No.	Complete Assem. Part No.	Tube O.D.	Straight Thread	"A" (Tube Leg)	"D" Straight Thread Leg
A3755-4	A3750-4	1/4"	7/16"-20	19/32"	11/164"
A3755-5	A3750-5	5/16"	1/2"-20	13/8"	15/64"
A3755-6	A3750-6	3/8"	9/16"-18	117/32"	115/64"
A3755-8	A3750-8	1/2"	3/4"-16	125/32"	17/16"
A3755-10	A3750-10	5/8"	7/8"-14	23/32"	111/16"
A3755-12	A3750-12	3/4"	11/16"-12	21/4"	115/32"
A3755-14	A3750-14	7/8"	13/16"-12	27/16"	2"
A3755-16	A3750-16	1"	15/16"-12	219/32"	21/32"
A3755-20	A3750-20	1 1/4"	15/8"-12	229/32"	21/4"
A3755-24	A3750-24	1 1/2"	17/8"-12	37/16"	23/8"
A3755-32	A3750-32	2"	2 1/2"-12	43/16"	27/8"

**All Lenz Fittings
Conform to J.I.C.
Hydraulic Standards**

For body only, change the last number preceding the dash of part number from 0 to 5. Example: A-3350-12 becomes A-3355-12.

**LENZ • P.O. BOX 1044 • DAYTON, OHIO 45401-1044 • PHONE: 937/277-9364 • FAX: 937/277-6516
OFFICE & FACTORY • 3301 KLEPINGER ROAD • DAYTON, OHIO 45406-1842
INTERNET: <http://www.lenzinc.com>**